



 DRILLING MACHINES

English



 **ROBLAND**[®]
MADE IN BELGIUM

TABLE OF CONTENTS

About Robland	3 - 5
KBM	6
LBM	7
Strengths KBM & LBM series	8
BM21 PRO	9
Strengths & options BM21 PRO	10
BM3000	11
Operations BM3000	12
Strengths BM3000	13
ROBLAND machines overview	14 - 15
Disclaimer & contact details	16



MADE IN BELGIUM

SINCE 1968

ROBLAND is a privately owned Belgian company, that was founded in 1968 by Robert Landuyt. The first successes were achieved by building affordable qualitative universal woodworking machines, a large part of which are still in use today.

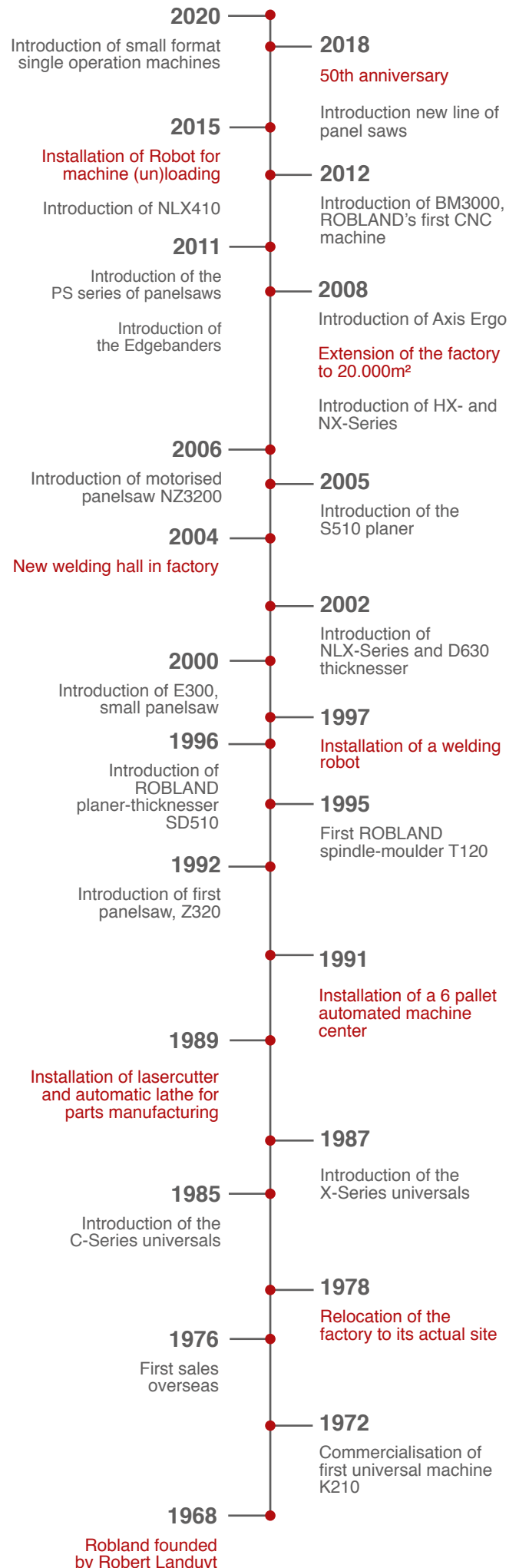
We do have all resources and competencies in house for product development, parts manufacturing, product assembly, sales and after sales support.

With our state of the art, highly automated, parts manufacturing machines we are able to remain cost effective while manufacturing in Belgium near the historical city of Bruges. Although our machines will last for years, this is not enough for us. A quality service and after sales support is key to ROBLAND's success. As we manufacture all machine parts ourselves, you can rely on spare parts always being rapidly available.

Our company mission is to offer woodworking machines with the best quality/price ratio to the high end Do-It-Yourself market and to the small and medium-sized enterprise market.

Our product portfolio, aimed at the second wood processing, includes panel saws, table saws, universal machines, planers, thicknessers, spindle moulders, horizontal mortisers, a semi-automatic boring machine, a CNC boring machine, edgebanders and dust extraction systems.

We have an international dealer network and currently export over 85% of our production worldwide to more than 100 countries. In its 20.000 m² large factory ROBLAND employs over 80 people.



PRODUCTION



Steel plate laser cutting



Surface scraping of cast iron table



Computer assisted steel plate bending



CNC milling of parts



Welding of frame



CNC machining of parts



Powder coating



CNC machining of parts



Milling of aluminium profiles



Part picking by robot

SUBASSEMBLY



ASSEMBLY



PACKAGING

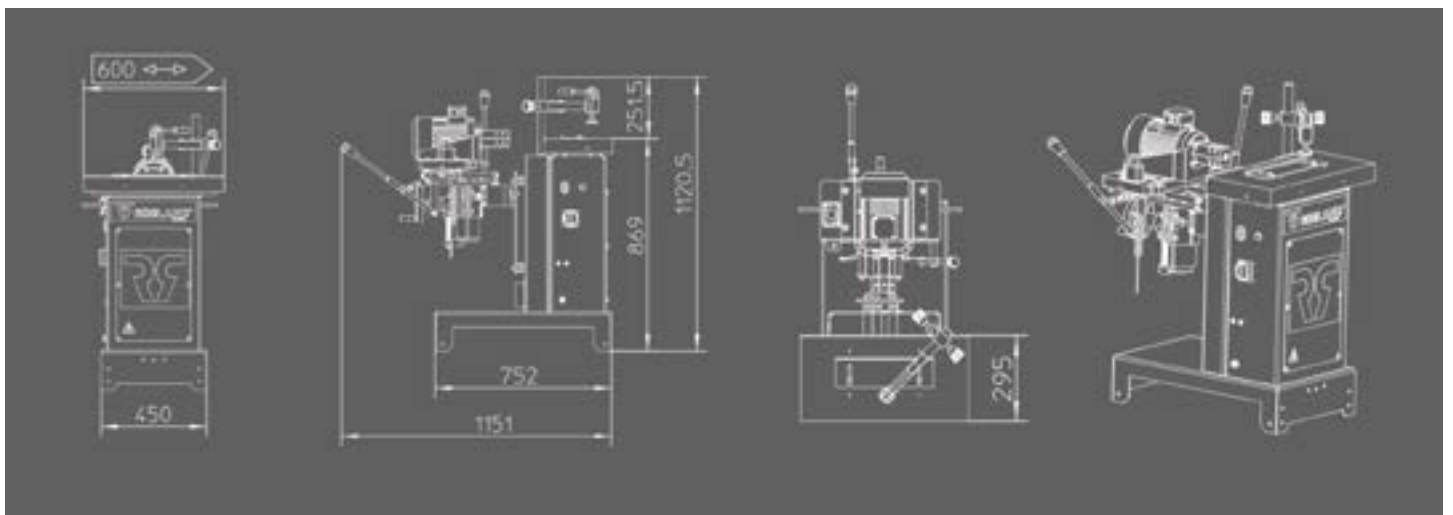




KBM with options

KBM Technical specifications

Weight	180 kg
Motor power (S6) 3-phase	3 kW / 4 hp
Motor power (S6) single phase	2,2 kW / 3 hp
Dimensions cast iron table	430 x 210 mm
Horizontal movement	165 mm
Maximal working depth	130 mm
Vertical movement of the head	85 mm
Chuck with collet till	16 mm (type ER32/470E)
Drill rotation speed	3000 RPM
Requires straight mortising bit	

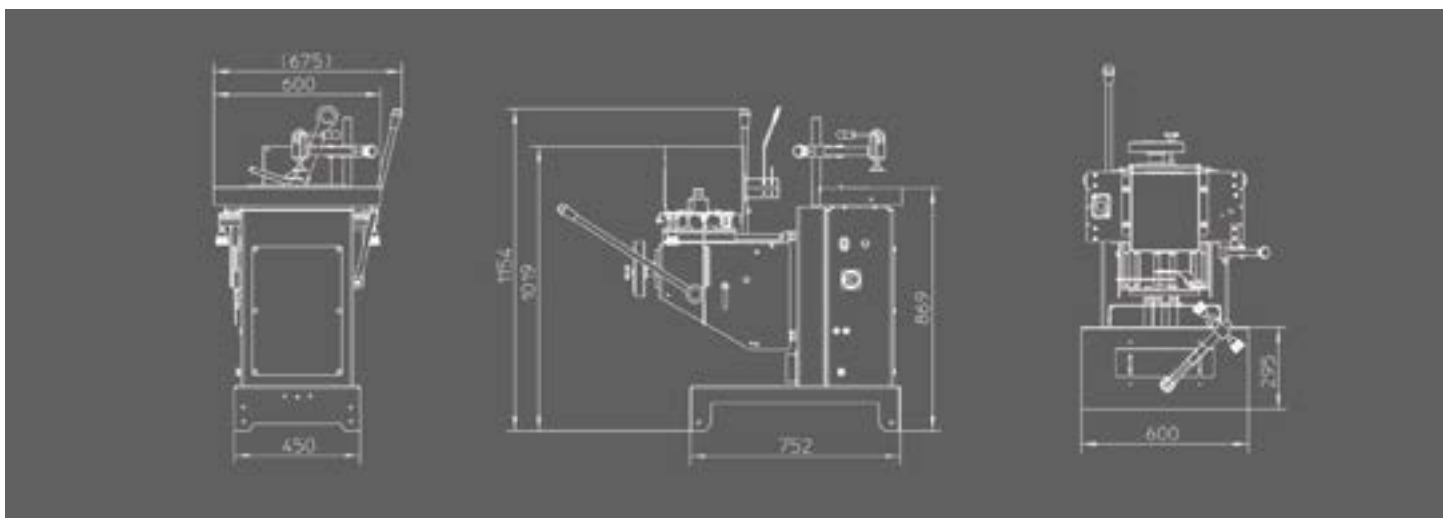




LBM with options

LBM Technical specifications

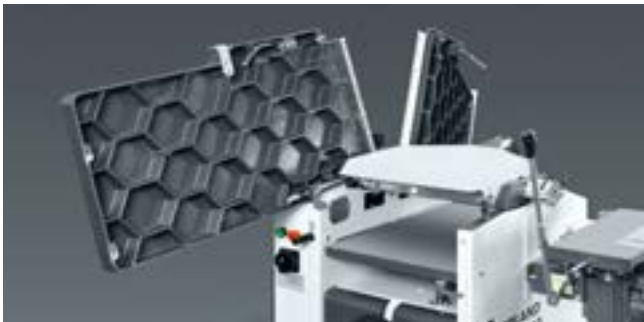
Weight	240 kg
Motor power (S6) 3-phase	3 kW / 4 hp
Motor power (S6) single phase	2,2 kW / 3 hp
Dimensions cast iron table	600 x 300 mm
Horizontal movement	180 mm
Maximal working depth	150 mm
Vertical movement of the head	145 mm
Chuck with collet till	16 mm (type: ER32/470E)
Drill rotation speed	3000 RPM (option: 1500/3000 RPM only 3-phase only)
Requires straight mortising bit	





STEEL FRAMEWORK

Robust steel framework that ensures that any vibrations are negligible. This naturally ensures a higher quality result.



HONEYCOMB STRUCTURE

Our cast iron tables have a honeycomb structure for the highest strength per weight ratio. The surface is scraped. This technique with low energy dissipation guarantees a very flat surface.

Microgrooves are applied for easy gliding of the wooden work piece on the cast iron table.



LEVERS

The chuck moves with 2 levers for ease and precision.

The KBM & LBM require the use of straight mortising bits.



DUST EXTRACTION

The dust extraction of the chips is done efficiently at the bottom in such a way that the extraction is never in the working surface.



HANDWHEEL

Ergonomic handwheel with Siko counter for easy height adjustment of the chuck with precision up to 0,1 mm. (Standard on LBM, optional on KBM)

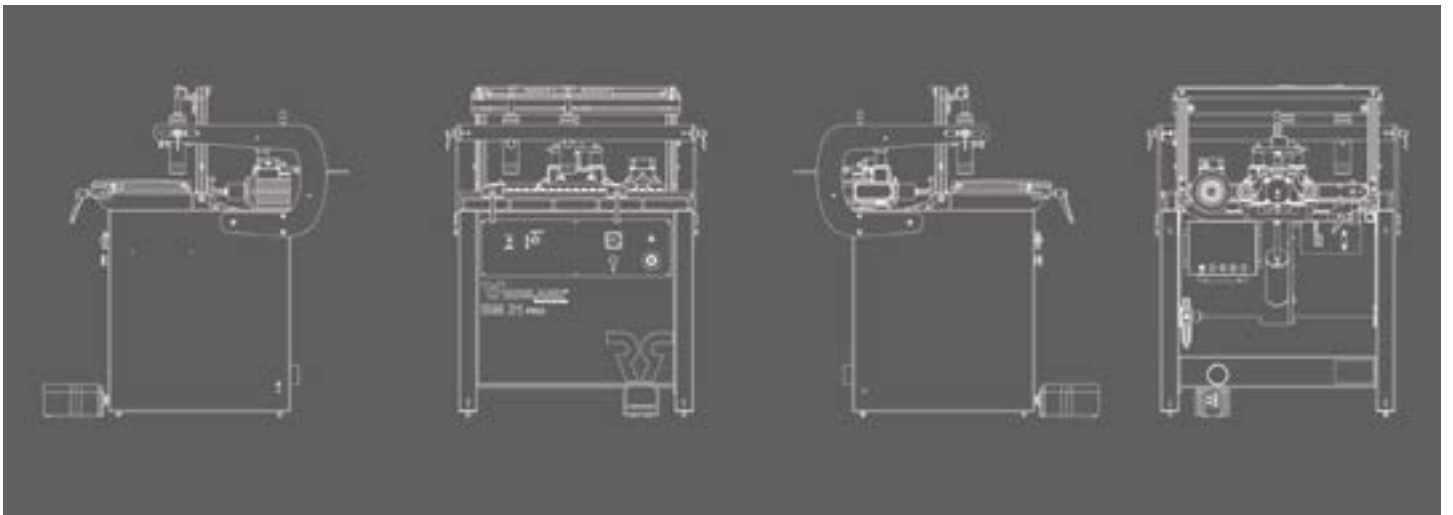
BM21 PRO



BM21 PRO with options

BM21 PRO Technical specifications

Weight	300 kg
Voltage	3 x 400 V
Motor power	1,5 kW / 2 pk
Compressed air	6 - 8 bar
Dimensions packaging (L x W x H)	1070 x 950 x 1030 mm
Number of spindles	21 (5 incl.)
Aluminium profile 3000 mm with 2 stops	Standard (2 x 1500 mm)
Center distance in between spindles	32 mm
Distance between first and last spindle	640 mm
Maximal depth of boring	70 mm
RPM spindles	2800 RPM
Dimensions table	854 x 375 mm
Maximal dimensions working piece	915 x 3000 x 140 mm (L x W x H)
Diameter dust extraction outlet	80 mm



STRENGTHS

BM21 PRO



OPTIONS

BM21 PRO



INCLUDES 2 ALUMINIUM PROFILES

The BM21 PRO comes with 2 aluminium guides, each of 1500 mm, with stops for the correct positioning of larger workpieces.

SPIRAL SYSTEM

Thanks to the spiral system, you can easily set all drilling depths through the scale. This ensures precision and speed in work. The chuck itself can be easily moved from 0°-90° with air pressure.

HINGES

Also without optional insert it is possible, at 3 positions, to use spindles for hinges.

REFERENCE POINT

With the optional reference point you can also process larger panels with the 32 mm system.

INSERTS

Optional inserts are available for hinges of the types Salice, Blum, Grass and Hettich, so that this machine can be used with many materials and in all conditions.

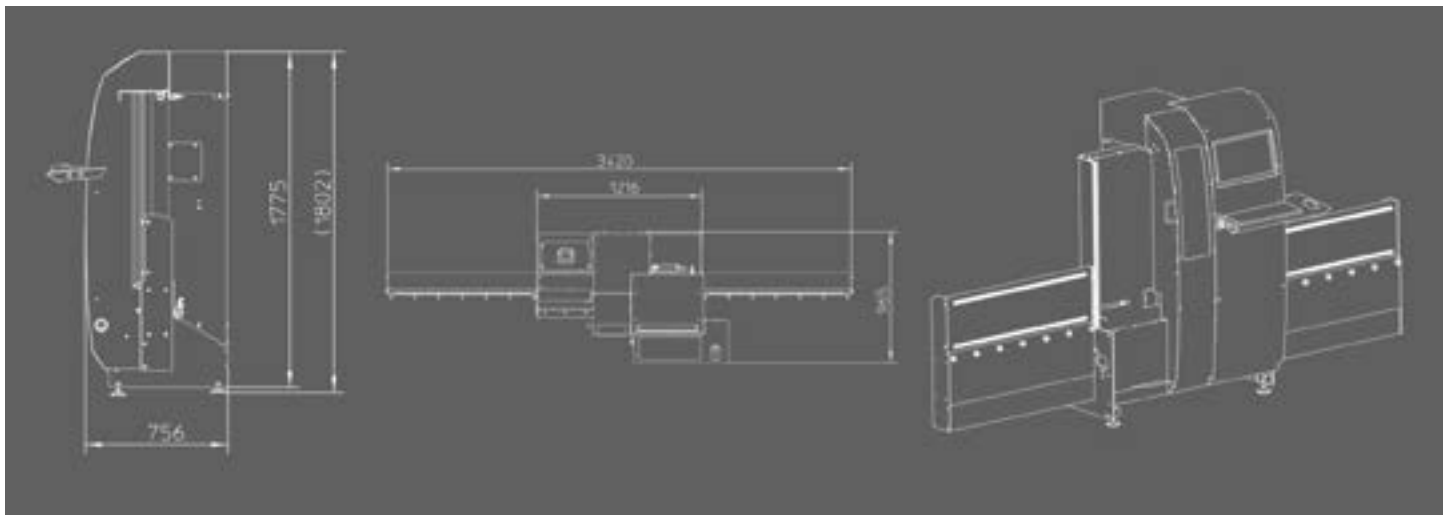
BM3000



BM3000 with options

BM3000 Technical specifications

Weight	500 kg
Voltage	3 x 400 V / 3 x 230 V
Motor power	1,3 kW / 2 pk
Compressed air	6 bar
Y axis reach (height panel)	120 - 920 mm
X axis reach (length panel)	300 - 3300 mm
Z axis reach (thickness panel)	12 - 40 mm
A axis reach (turning circle drill chuck)	360°
Movement speed	20m/min.
Diameter drill holes	3 - 35 mm
Maximal depth sawblade groove	10 mm
RPM saw	3200 RPM
RPM drills	5400 RPM
Tools (included)	Drill 5 mm
	Spindle 8 mm
	Minifix 20 mm
	Hinge 35 mm
	Sawblade 90 mm diameter x 3,5 mm thickness
Diameter dust extraction outlets	2 x 100 mm





SAWING

The saw can be used for making grooves in the top 4 cm of the panel. The groove saw has a width of 3,5 mm and for grooves of larger width, this is automatically done in different movements. The software calculates these automatically.

The saw first works as a scoring unit and then as a regular main saw for a superior finish.



DRILLING

The chuck is equipped with 4 positions, one counterclockwise and 3 clockwise. The drilling tools supplied as standard are a 5 mm drill bit for row drillings, a 20 mm minifix and a bit for hinges of 35 mm.



HINGES

It is easy to program and save different tools in the software. For hinges one can for instance program size, position and depth of the main bit (35mm supplied) and of the two lateral points or holes.



MILLING

The BM 3000 is not a milling machine. However, we also supply a 8 mm milling bit. This tool is destined for a number of limited applications such as:

- Drilling side dowel holes
- Making a larger bore from eg 8 to 10 mm
- Grooving instead of with the saw (in positions inaccessible to the saw blade or for not sawing through the visible edge of the board)
- Making a recess for, for example, a lamp, socket or a handless handle in a cupboard.

STRENGTHS

BM3000



VERTICAL CONCEPT

Due to the vertical concept of the BM 3000 and the fact that this machine can simply be placed against the wall, this machine is extremely space efficient.



USER-FRIENDLY SOFTWARE

The machine has a user-friendly Windows-based CAD-CAM software, programming is parametric with the possibility of creating a library.

The BM 3000 is designed like all Robland machines, simple, no-nonsense and user-oriented. That makes this machine unique in its segment, as most CNC's are very complex and difficult to use. This is not the case with a BM 3000 where basic machine training takes a limited number of hours.



ALL POSSIBLE COMFORT

Despite the fact that this CNC drilling machine is in a lower price range than that of larger installations, Robland has decided to also offer an optional full factory support. This includes annual maintenance, telephone support or additional training in the factory.

PANEL SAWS



NXZ II



CZ300 II M



CZ SERIES



FZ SERIES



Z400 SERIES



Z500 SERIES

PLANER - THICKNESSERS



NXSD310



SD410



SD510

PLANERS



KS410



S410



J510

THICKNESSERS



D510



D630

HORIZONTAL SLOT MORTISER



LBM

SPINDLE - MOULDERS



KBM



KT30 PRO



T120S



T120L



T120P



M500

TABLE SAW

COMBINED MACHINES



HX260



HX310 PRO



NX310/410 II



NLX310/410 PRO



NXTZ II



NLXTZ PRO

DRILLING MACHINES



BM21 PRO



BM3000

EDGE BANDERS



KM575



This brochure is for information purposes only. Robland reserves the right to modify machine configurations and specifications without prior notice. Standard configurations can change over time and by point of purchase. Please consult your local dealer for accurate and up to date information.

Robland NV
Kolvestraat 44
8000 Brugge - Belgium
Tel: +32 50 458 925
info@robland.com
www.robland.com



Follow us on Facebook
www.facebook.com/Roblandmachines



Follow us on Instagram
www.instagram.com/robland_nv



Follow us on YouTube
www.youtube.com/robland